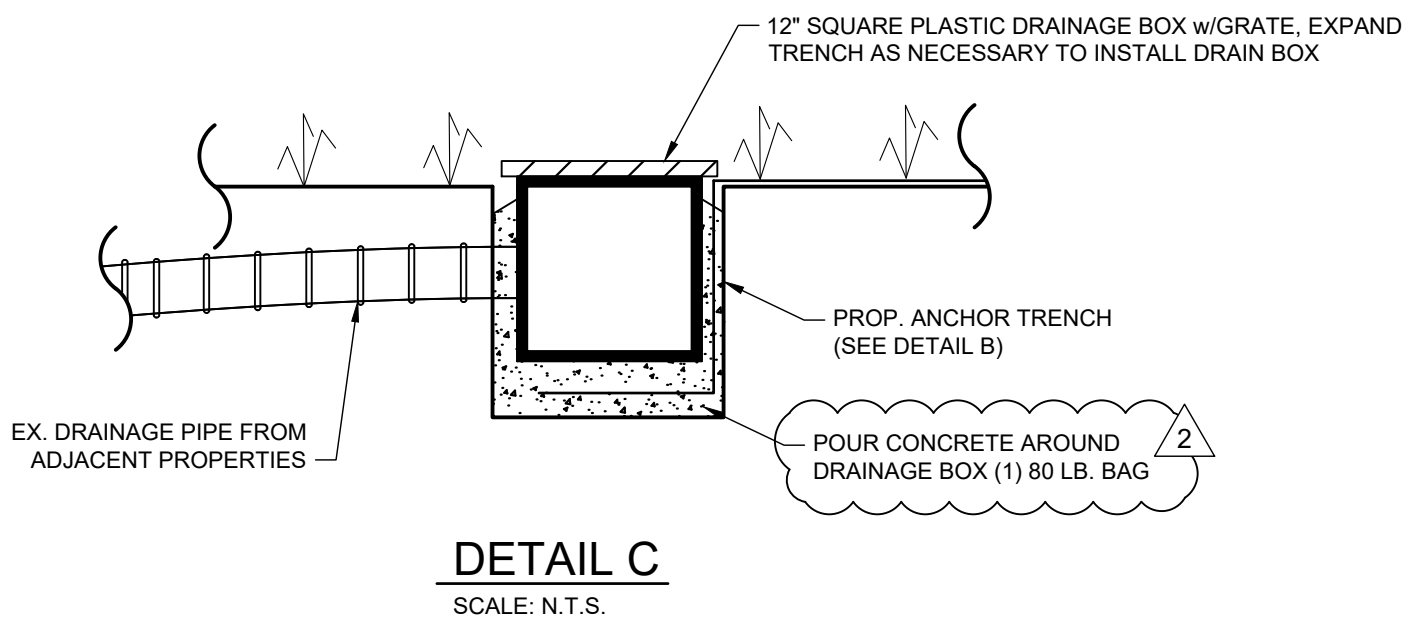
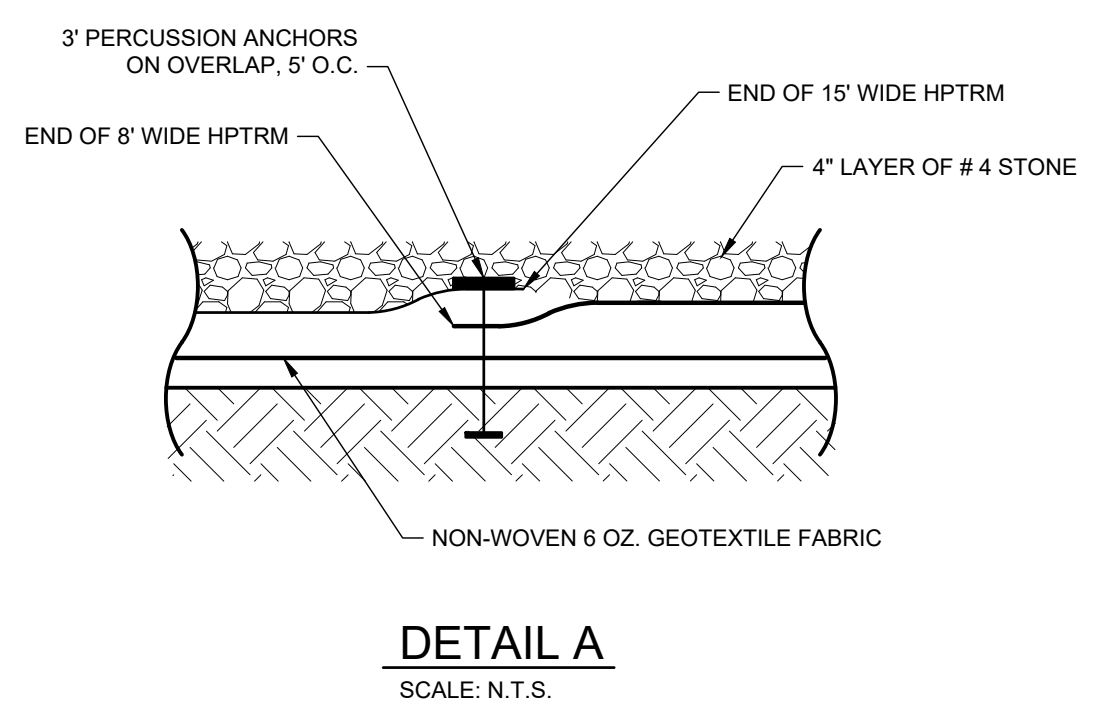
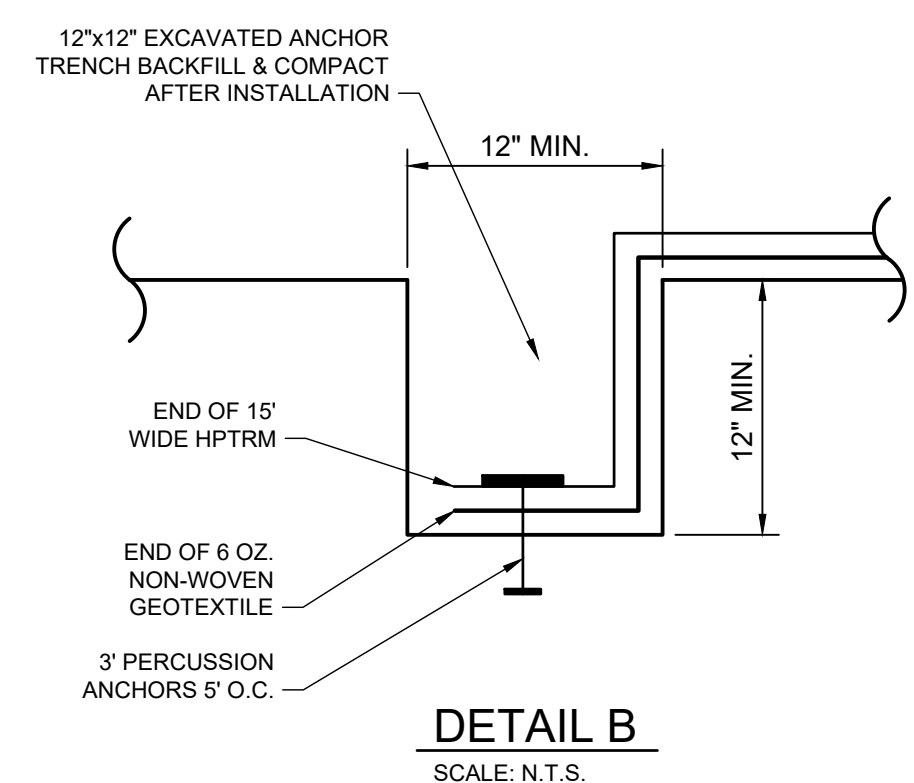
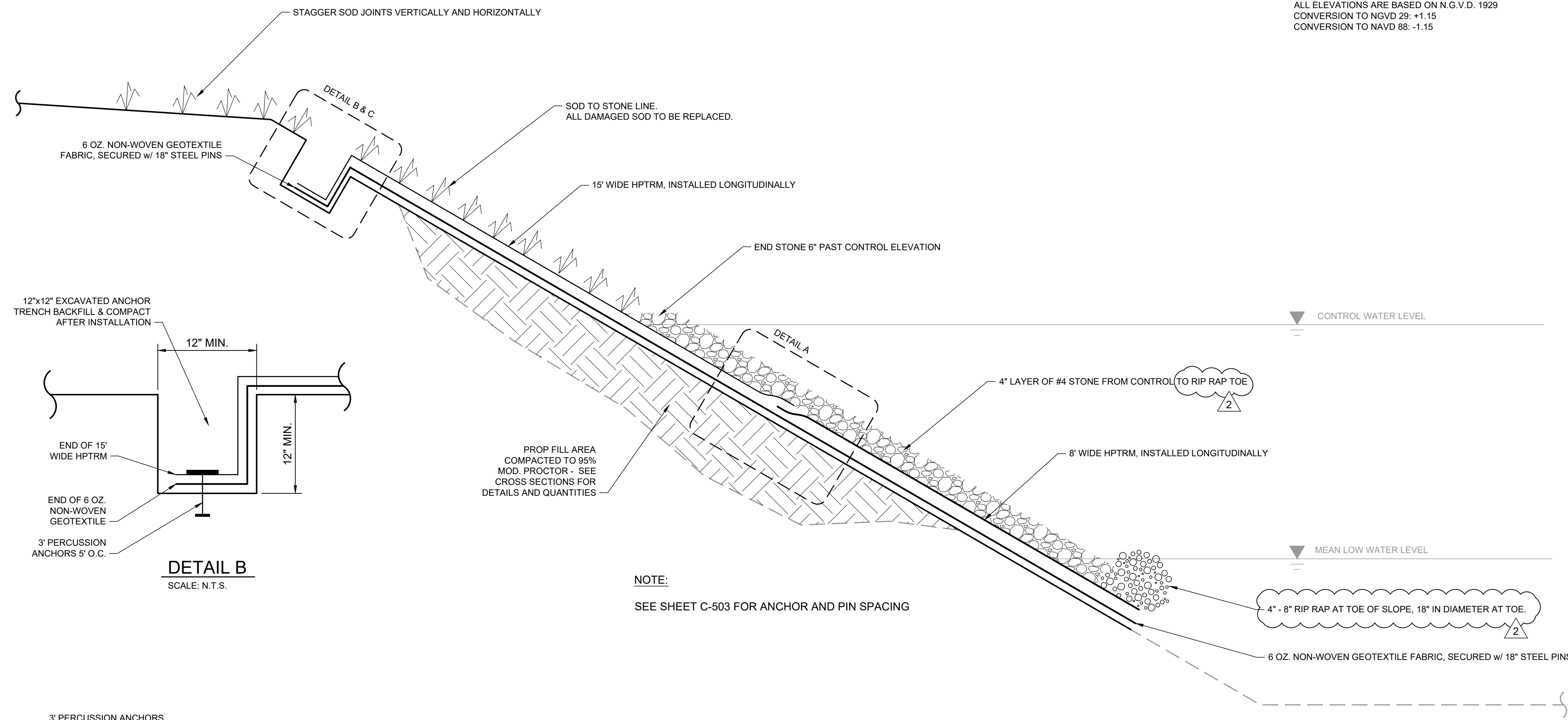


REPAIR DETAILS & CROSS SECTION (HPTRM)

LAKE #	60	61	90	110	119	121
SLOPE	4:1	4:1	4:1	4:1	4:1	4:1
ANCHOR TRENCH EL.	24.5	24.5	26.0	26.0	24.0	24.0
CONTROL EL.	22.5	22.5	24.0	24.0	22.0	22.0
MEAN LOW WATER EL.	19.5	19.5	21.0	21.0	19.0	19.54

NOTE:
ALL ELEVATIONS ARE BASED ON N.G.V.D. 1929
CONVERSION TO NGVD 29: +1.15
CONVERSION TO NAVD 88: -1.15



NOTE:
SEE SHEET C-503 FOR ANCHOR AND PIN SPACING

NOTES:
1. CONTRACTOR SHALL INSTALL DRAINAGE BOXES IN THE FIELD AS DIRECTED. IF NO DRAINAGE PIPE CURRENTLY EXISTS CONTRACTOR SHALL INSTALL 2\"/>

MARK	DATE	DESCRIPTION
2	02/13/18	CHANGES PER ADDENDUM #2

GATEWAY SERVICES DISTRICT
REPAIR DETAILS AND CROSS SECTION

Project No.: 200-37678-16005
Designed By: TCW
Drawn By: GM
Checked By: DMN

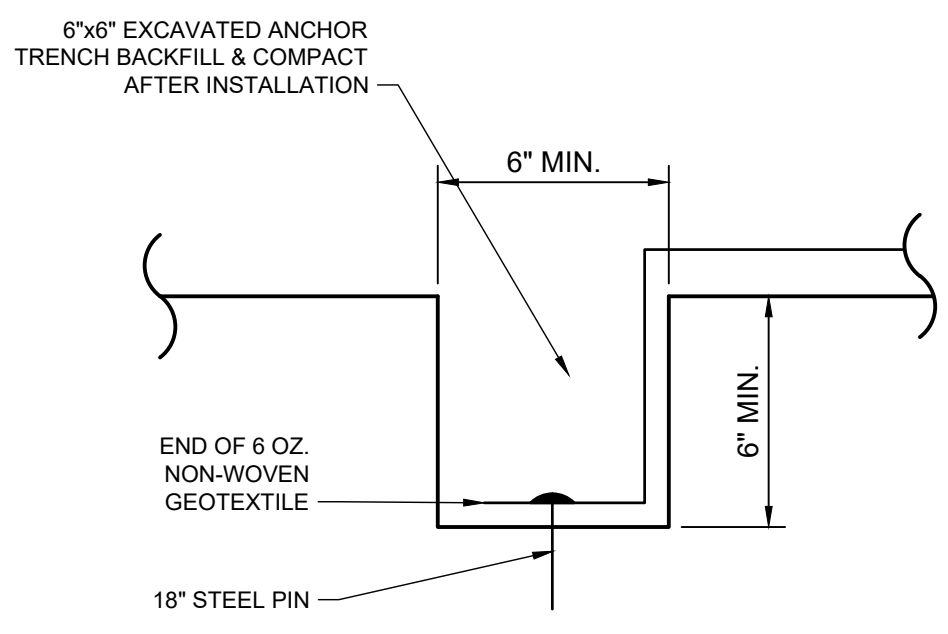
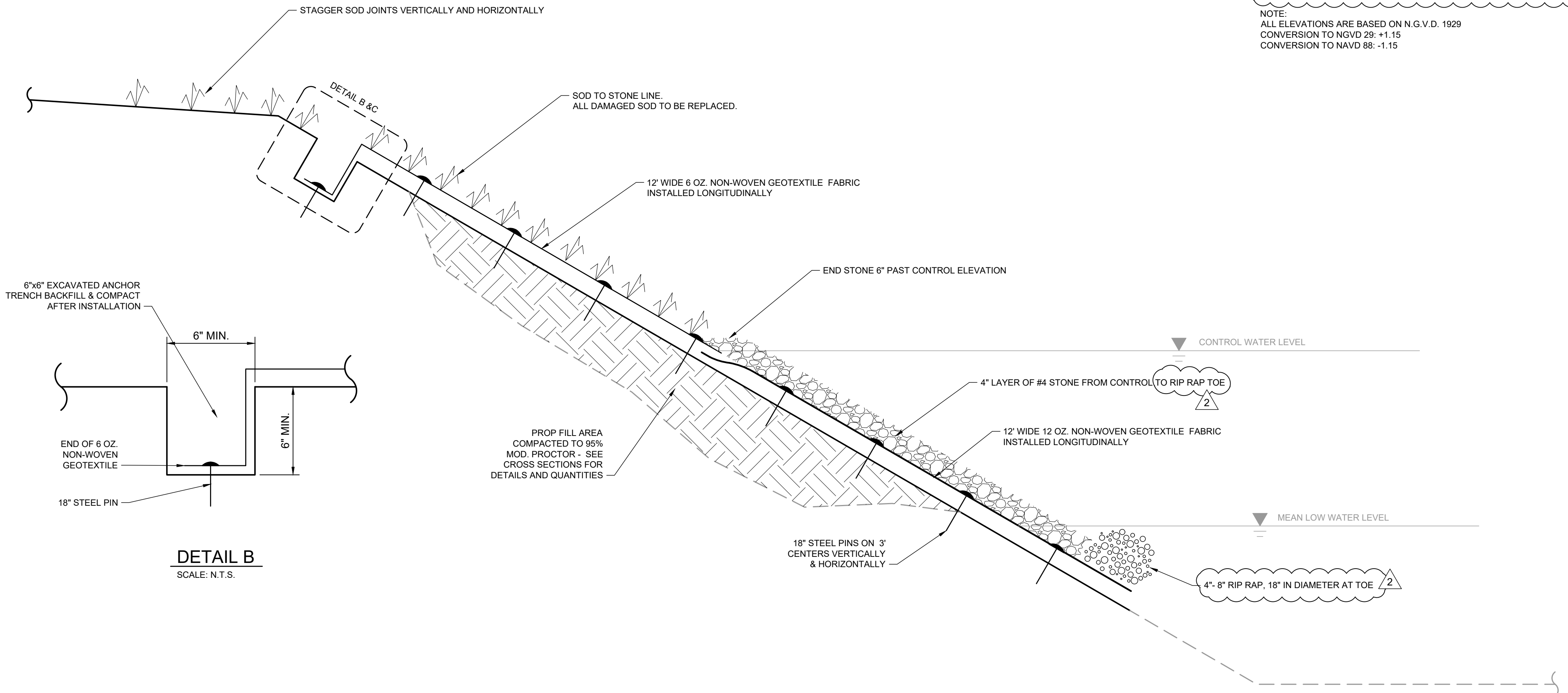
2/13/2018 9:57:41 AM - P:\IER\37678\200-37678-16005\CAD\SHHEETFILES\K-60\C-DETAILS.DWG - MARQUEZ, GERMAIN

Copyright: Tetra Tech

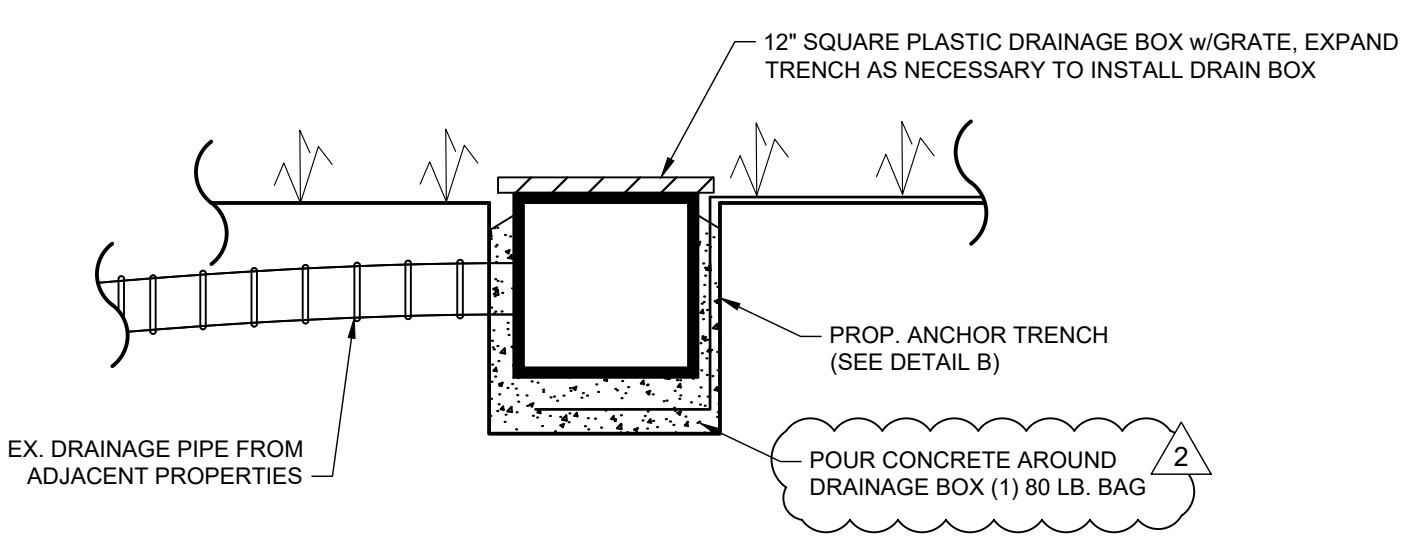
REPAIR DETAILS & CROSS SECTION OTHER

LAKE #	60	61	90	110	119	121
SLOPE	4:1	4:1	4:1	4:1	4:1	4:1
ANCHOR TRENCH EL.	24.5	24.5	26.0	26.0	24.0	24.0
CONTROL EL.	22.5	22.5	24.0	24.0	22.0	22.0
MEAN LOW WATER EL.	19.5	19.5	21.0	21.0	19.0	19.54

NOTE:
ALL ELEVATIONS ARE BASED ON N.G.V.D. 1929
CONVERSION TO NGVD 29: +1.15
CONVERSION TO NAVD 88: -1.15



DETAIL B
SCALE: N.T.S.



DETAIL C
SCALE: N.T.S.

- NOTES:
- CONTRACTOR SHALL INSTALL DRAINAGE BOXES IN THE FIELD AS DIRECTED. IF NO DRAINAGE PIPE CURRENTLY EXISTS CONTRACTOR SHALL INSTALL 2' SECTION OF 4" SCH. 40 PVC PIPE WITH CAP EXTENDING TOWARDS THE ADJACENT PROPERTY.

TETRA TECH
ENGINEERING BUSINESS NO. 2629
WWW.TETRA TECH.COM
10600 CHEVROLET WAY, SUITE 300
ESTERO, FLORIDA 33928
Ph: (239) 390-1467 Fax: (239) 390-1769



TYLER WAINRIGHT, P.E.
LICENSE #80476
Tetra Tech, Inc.
10600 Chevrolet Way, Suite 300
Estero, Florida 33928
Engineering Business No. 2629
DATE: _____

MARK	DATE	DESCRIPTION	BY
2	02/13/18	CHANGES PER ADDENDUM #2	GM

**REPAIR DETAILS
AND CROSS SECTION**

Project No.: 200-37678-16005
Designed By: TCW
Drawn By: GM
Checked By: DMN

C-502

Sheet

2/13/2018 9:57:42 AM - P:\IER\37678\200-37678-16005\CAD\SHSHEETFILES\K-60\C-DETAILS.DWG - MARQUEZ, GERMAIN